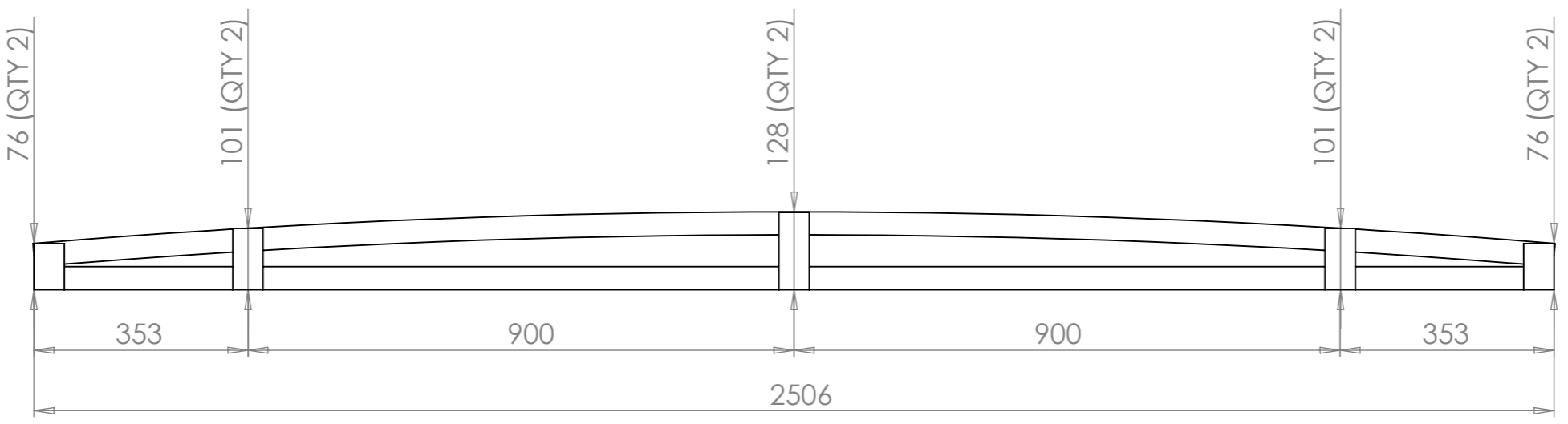


TRUSS B (x2) Chords 38 x 38 x 2 pregalv , Tendons 50 x 3 pregalv flatbar



TENDON LENGTHS	QTY
128	4
101	8
76/ENDPLATE	8

4 PLATES



Jaco Viljoen	X4 Roof Trusses	2022/02/16
Author:	Sketch name:	Date: