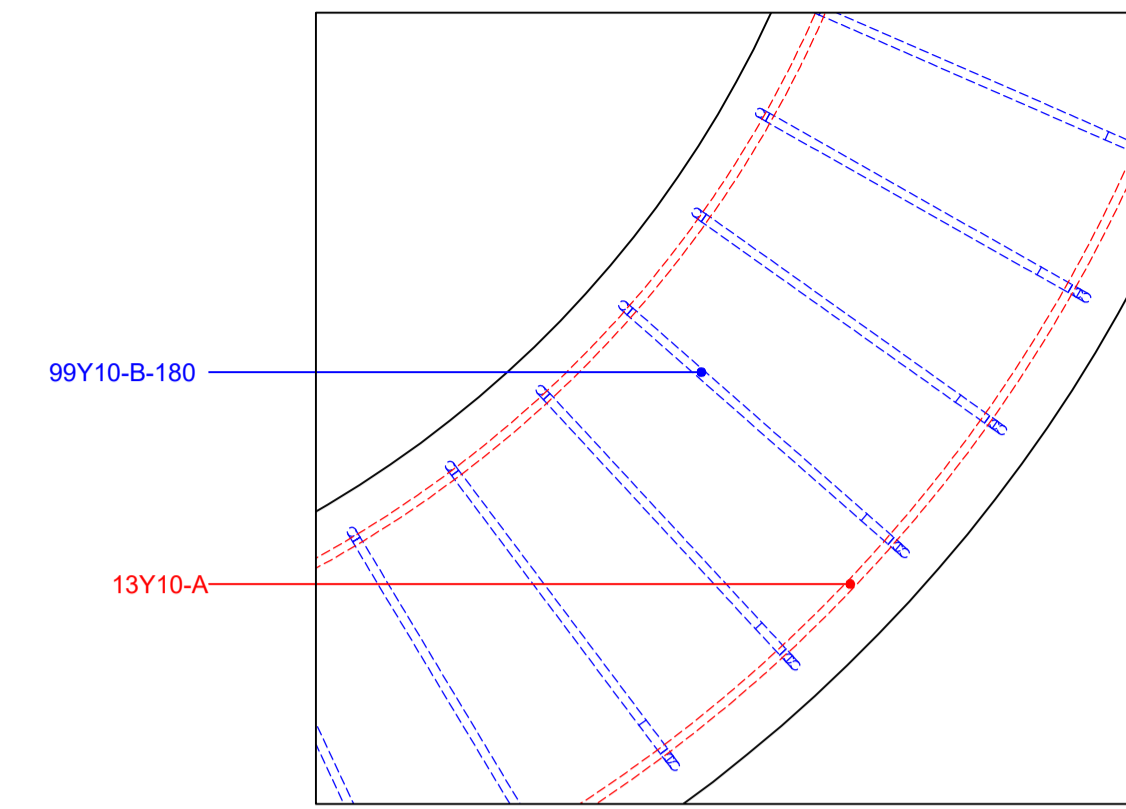
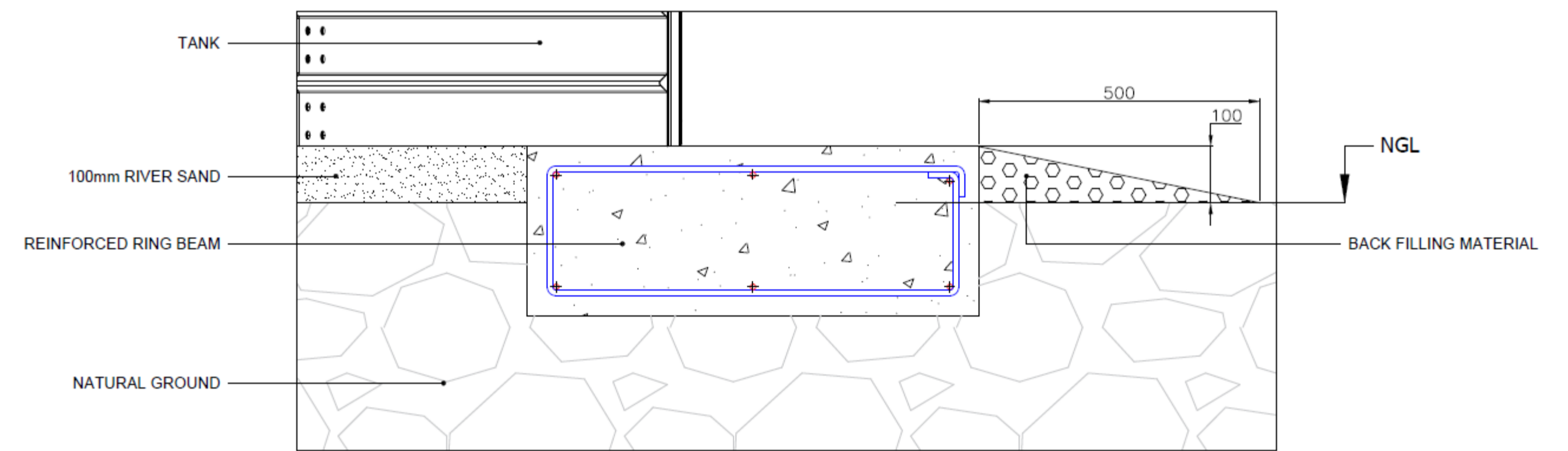


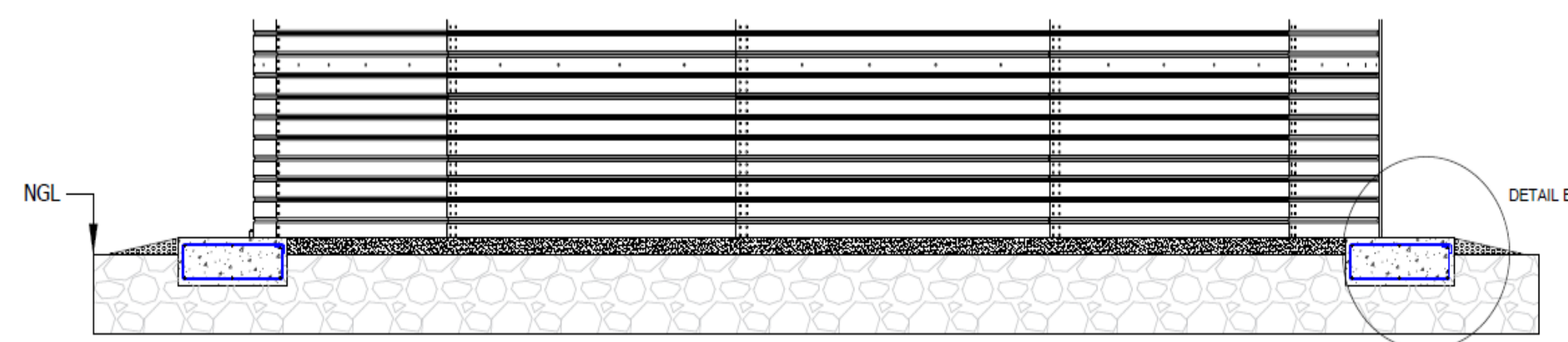
PLAN VIEW  
(TANK OMITTED)



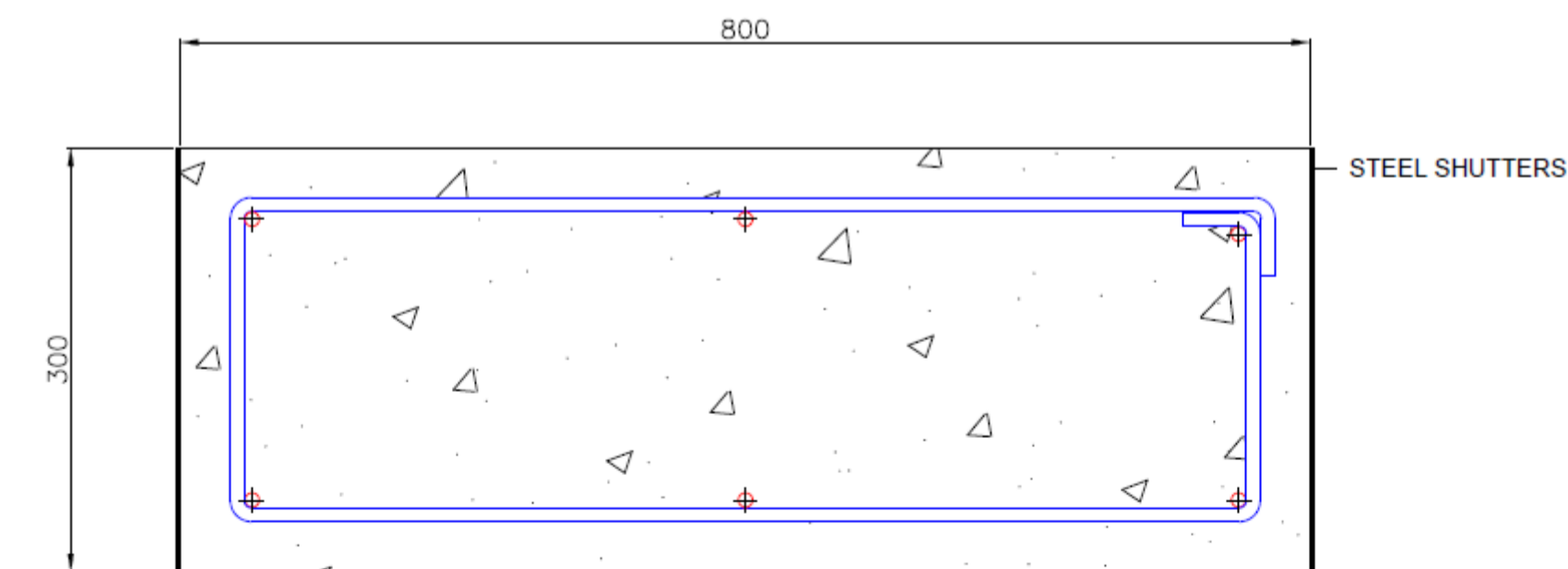
DETAIL A  
SCALE 1:8



DETAIL B  
SCALE 1:8



SECTION A-A



SECTION B-B  
SCALE 1:5

NOTES

- THIS DRAWING MAY NOT BE SCALED
- RING BEAM POSITION TO BE DETERMINED BY THE CLIENT OR APPROVED DRAWINGS
- CONCRETE TO BE 25MPa MINIMUM
- TOP, BOTTOM & SIDE: 40MM COVERAGE
- STIRRUPS SPACED 180mm
- 40mm SPACER BLOCKS TO BE USED
- OD: +20mm, -0mm TOLERANCE
- ID: +0mm, -20mm TOLERANCE
- T.O.C: +2mm, -4mm TOLERANCE
- RING BEAM T.O.C TO PROTRUDE THE NATURAL GROUND LEVEL BY 100mm
- RING BEAM TO BE FILLED BY 100mm RIVER SAND BED
- SAND BED TO BE FREE FROM DEBRIS & SHARP OBJECTS SUCH AS ROCKS, STICKS, REBAR, BINDING WIRE, ETC.
- BACK FILLING MATERIAL TO BE USED WHERE APPLICABLE AS DETERMINED BY THE ENGINEER

COMPONENTS

#	SPECIFICATION	QTY	DESCRIPTION
A	25MPa READY MIX	3,7M <sup>3</sup>	RING BEAM
B	RIVER SAND - 100MM HIGH	1,3M <sup>3</sup>	RING BEAM FILLER
C	Y10-6M-SC20	13	HORIZONTAL REINFORCING
D	Y10-1,38M-SC60	99	STIRRUPS
E	BINDING WIRE	LOT	BINDING WIRE

NB: SPECIFICATION FOR A SINGLE RING BEAM

REVISIONS

DATE	DESCRIPTION	REV
01.07.2021	ISSUED FOR REVIEW	A
01.07.2021	ISSUED FOR CONSTRUCTION	0

RING BEAM 1 : DESIGNATED "RING BEAM"											
NO OFF	BAR/MEMBER	TYPE AND SIZE	BAR LENGTH (EA.)	TOTAL NO.	BAR MARK	SC	A	B	C	D	E
1	13	Y10	6000	13	A	20	6000				
1	99	Y10	1980	99	B	60	220	420			

SHAPE CODES ACCORDING TO SANS282: 2004

THIS DRAWING IS THE EXCLUSIVE PROPERTY OF PHOENIX TANKS (PTY) LTD. AND SHALL REMAIN THE PROPERTY OF PHOENIX TANKS (PTY) LTD. UNLESS OTHERWISE STATED TO THE CONTRARY. NO PART OF THIS DRAWING IS TO BE REPRODUCED OR TRANSMITTED IN ANY FORM OR BY ANY MEANS WITHOUT THE WRITTEN PERMISSION OF PHOENIX TANKS (PTY) LTD.

PROJECT: AL	PHOENIX TANKS RING BEAM LAYOUT	SHEET NO: 4.49 0 / 068
SCALE: 1:20	APPROVED BY: P. Jordaan	DRAWN BY: AvV
DRAWN DATE: 01.07.2021	CHECKED DATE: 01.07.2021	DRAWN DATE: 01.07.2021
24 of 208	PT-RBL-068	0