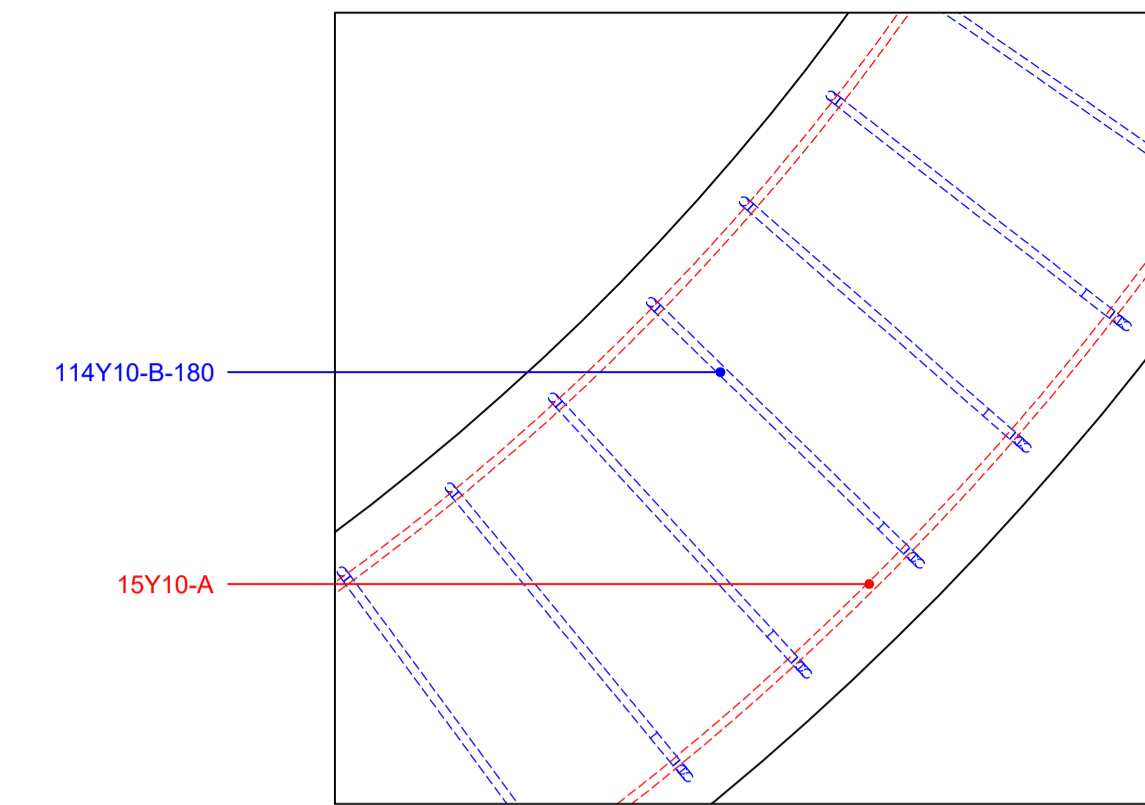
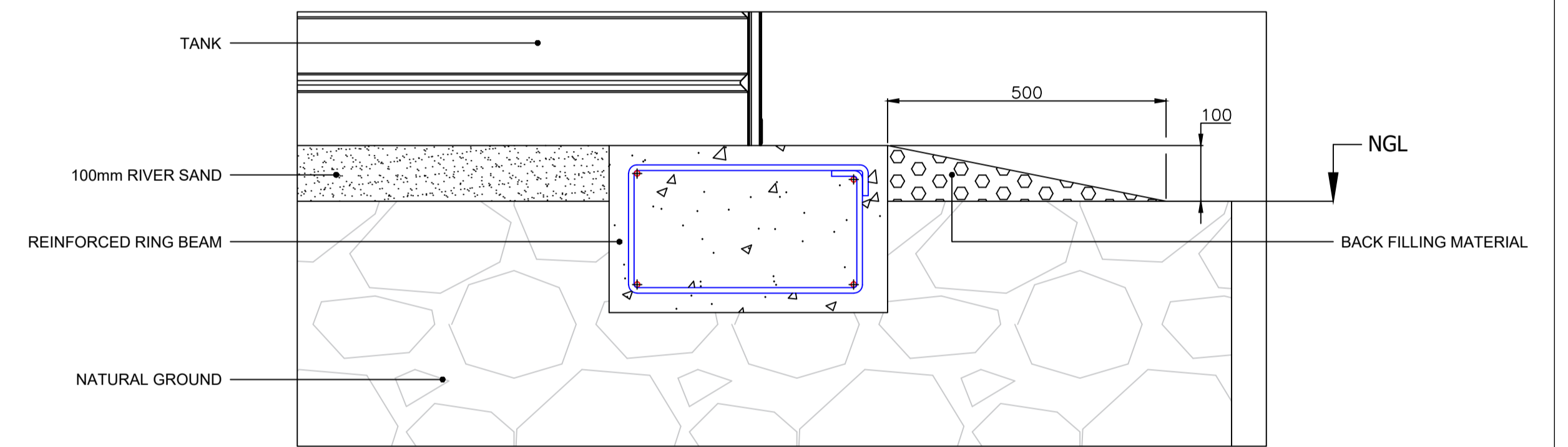


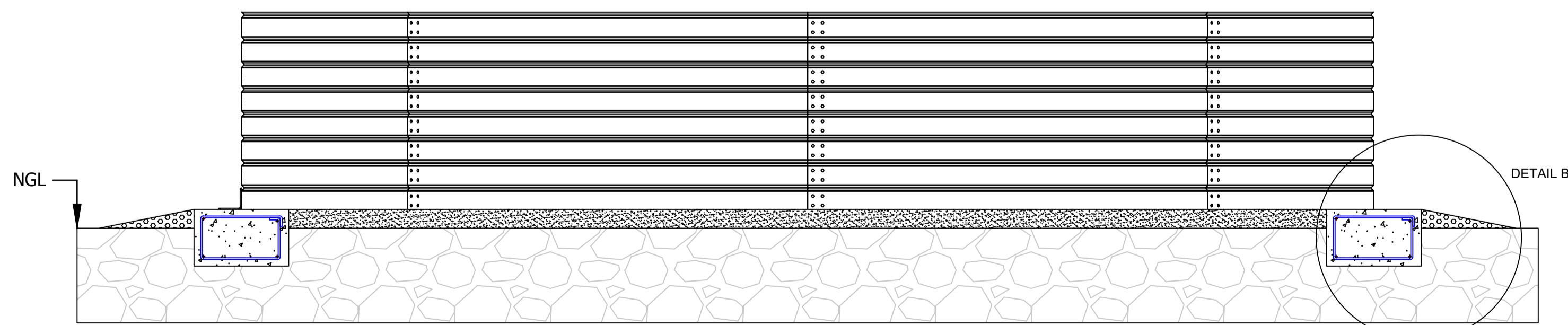
PLAN VIEW  
(TANK OMITTED)



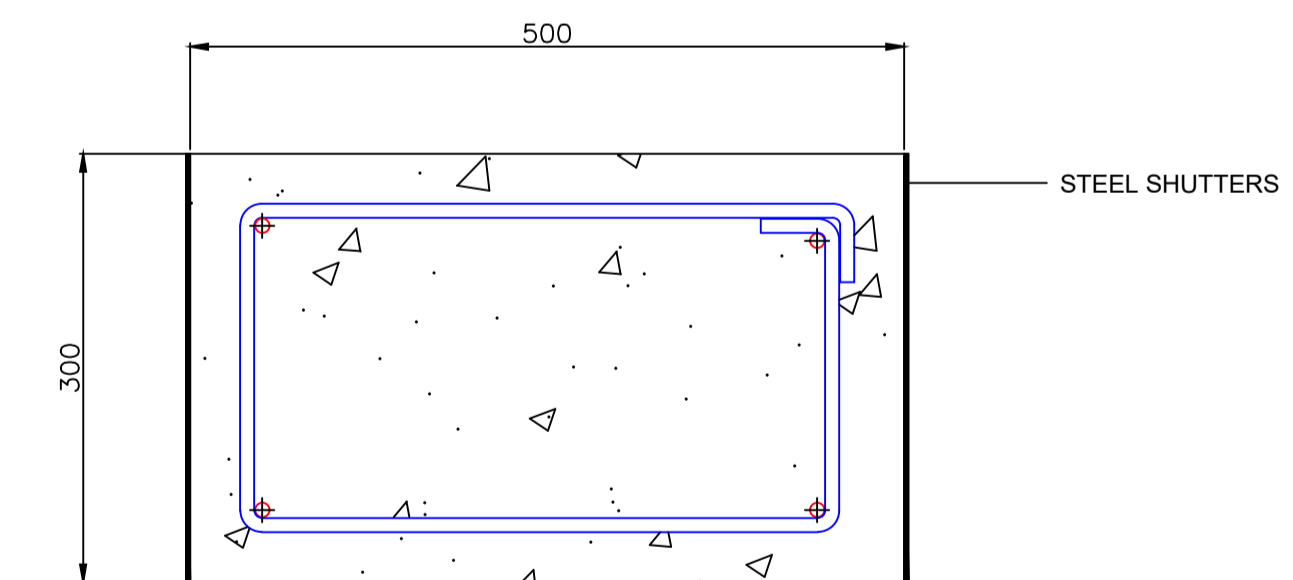
DETAIL A  
SCALE 1:8



DETAIL B  
SCALE 1:8



SECTION A-A



SECTION B-B  
SCALE 1:5

NOTES

1. THIS DRAWING MAY NOT BE SCALED
2. RING BEAM POSITION TO BE DETERMINED BY THE CLIENT OR APPROVED DRAWINGS
3. CONCRETE TO BE 25MPa MINIMUM
4. TOP, BOTTOM & SIDE: 40MM COVERAGE
5. STIRRUPS SPACED 180mm
6. 40mm SPACER BLOCKS TO BE USED
7. OD: +20mm, -0mm TOLERANCE
8. ID: +0mm, -20mm TOLERANCE
9. T.O.C: +2mm, -4mm TOLERANCE
10. RING BEAM T.O.C TO PROTRUDE THE NATURAL GROUND LEVEL BY 100mm
11. RING BEAM TO BE FILLED BY 100mm RIVER SAND BED SAND BED TO BE FREE FROM DEBRIS & SHARP OBJECTS SUCH AS ROCKS, STICKS, REBAR, BINDING WIRE, ETC.
12. BACK FILLING MATERIAL TO BE USED WHERE APPLICABLE AS DETERMINED BY THE ENGINEER

COMPONENTS

#	SPECIFICATION	QTY	DESCRIPTION
A	25MPa READY MIX	2.9M <sup>3</sup>	RING BEAM
B	RIVER SAND - 100MM HIGH	2.4M <sup>3</sup>	RING BEAM FILLER
C	Y10-6M-SC20	15	HORIZONTAL REINFORCING
D	Y10-1.38M-SC60	114	STIRRUPS
E	BINDING WIRE	LOT	BINDING WIRE

NB: SPECIFICATION FOR A SINGLE RING BEAM

REVISIONS

DATE	DESCRIPTION	REV
01.07.2021	ISSUED FOR REVIEW	A
01.07.2021	ISSUED FOR CONSTRUCTION	0

RING BEAM 1 : DESIGNATED "RING BEAM"										
NO OFF	BAR/MEMBER	TYPE AND SIZE	BAR LENGTH (EA.)	TOTAL NO.	BAR MARK	SC	A	B	C	E
1	15	Y10	6000	15	A	20	6000			
1	114	Y10	1380	114	B	60	220	420		

SHAPE CODES ACCORDING TO SANS282: 2004

**Phoenix Tanks**

THIS DRAWING IS THE EXCLUSIVE PROPERTY OF PHOENIX TANKS (PT) (Pty) Ltd. ANY REPRODUCTION OR USE OF THIS DRAWING WITHOUT THE WRITTEN PERMISSION OF PHOENIX TANKS (PT) (Pty) Ltd. IS STRICTLY PROHIBITED.

PHOENIX TANKS  
RING BEAM LAYOUT  
5.980 / 085

SCALE: 1:20  
DRAWN BY: P. Jordan  
CHECKED BY: AvV  
DATE: 01.07.2021

REVISION NO: PT-RBL-085  
REVISION NO: 0